



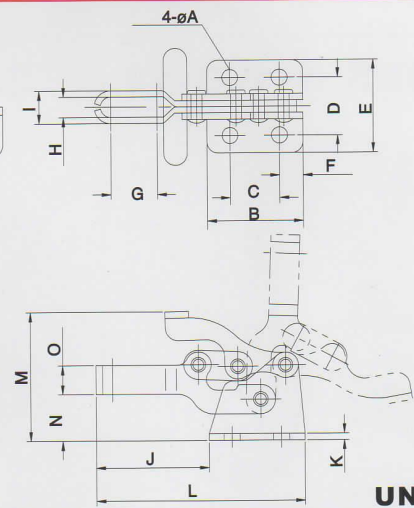
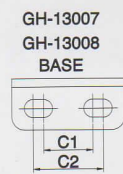
VERTICAL HANDLE TOGGLE CLAMPS

GH-13005 THRU GH-13008

- GH-13008 has
- Hardened bushings and Removable ground pins.



GH-13005



UNT:mm

| MODEL | WEIGHT | HOLDING CAPACITY(kg) | SPINDLE SUPPLIED | BAR OPENS | HANDLE OPENS | ØA | B | C | C1 | C2 | D | E | F | G | H | I | J | K | L | M | N | O |
|----------|--------|----------------------|------------------|-----------|--------------|-----|------|------|----|----|------|------|------|------|------|------|------|-----|------|------|------|------|
| GH-13005 | 60 | 68 | GH-FC-10138 | 90° | 170° | 4.4 | 26.2 | 13.5 | - | - | 15.9 | 25.4 | 6.4 | 12.7 | 5.6 | 9 | 30.8 | 2 | 57 | 35.2 | 12.7 | 7.9 |
| GH-13007 | 230 | 150 | GH-FC-56212 | 90° | 170° | 7 | 44 | - | 19 | 27 | 29.4 | 46 | 10.3 | 19.5 | 8.8 | 14.8 | 50.1 | 3.0 | 93.7 | 58.7 | 22.2 | 12.7 |
| GH-13008 | 630 | 320 | GH-FC-38312 | 90° | 170° | 7.9 | 64.3 | - | 31 | 39 | 38.1 | 62.7 | 12.7 | 28.9 | 10.4 | 19 | 67.5 | 3.0 | 135 | 88.1 | 33.3 | 19 |

GH-13005-SS STAINLESS STEEL

GH-13005 -HB

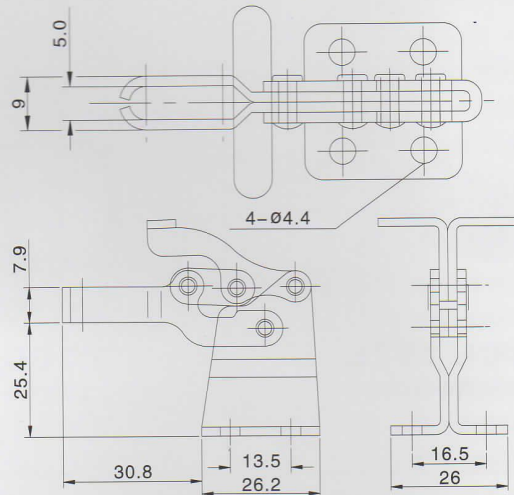
GH-13005 -SM

GH-13007 -SM



GH-13005-HB

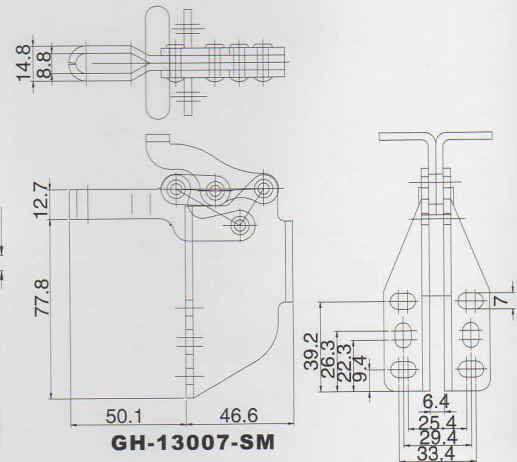
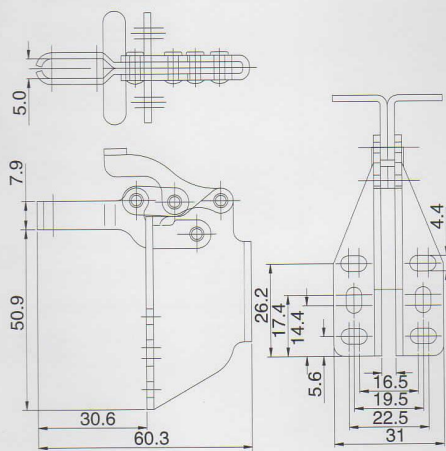
UNT:mm



| MODEL | WEIGHT(g) | HOLDING CAPACITY(kg) | SPINDLE SUPPLIED | BAR OPENS | HANDLE OPENS |
|-------------|-----------|----------------------|------------------|-----------|--------------|
| GH-13005-HB | 68 | 68 | GH-FC-10138 | 90° | 170° |



GH-13005-SM



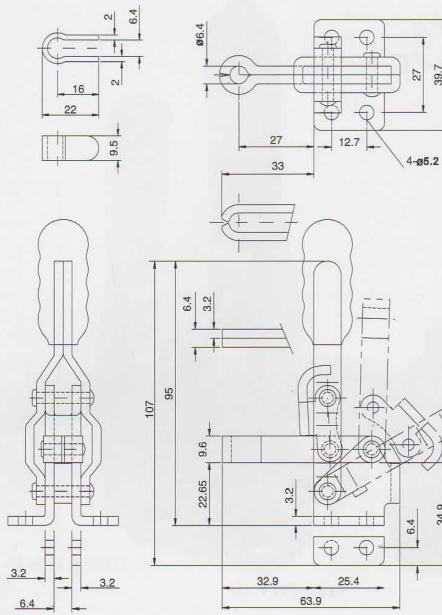
GH-13007-SM

| MODEL | WEIGHT(g) | HOLDING CAPACITY(kg) | SPINDLE SUPPLIED | BAR OPENS | HANDLE OPENS |
|-------------|-----------|----------------------|------------------|-----------|--------------|
| GH-13005-SM | 92 | 68 | GH-FC-10138 | 90° | 170° |
| GH-13007-SM | 360 | 150 | GH-FC-56212 | | |

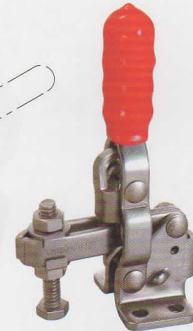
UNT:mm

GH-12050 THRU GH-12085

- ▶ WEIGHT: 170g
- ▶ HOLDING CAPACITY: 91kg
- ▶ SPINDLE SUPPLIED: GH-FC-14134
- ▶ BAR OPENS: 100°
- ▶ HANDLE OPENS: 60°



GH-12050



GH-12050-USS

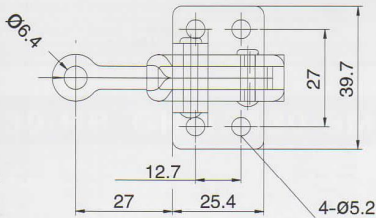
UNT:mm

| MODEL | DESCRIPTION |
|--------------|---|
| GH-12050 | FIXED SPINDLE, FLANGED BASE, STRAIGHT HANDLE |
| GH-12055 | FIXED SPINDLE, STRAIGHT BASE, STRAIGHT HANDLE |
| GH-12060 | SOLID BAR, FLANGED BASE, STRAIGHT HANDLE |
| GH-12065 | SOLID BAR, STRAIGHT BASE, STRAIGHT HANDLE |
| GH-12070 | FIXED SPINDLE, FLANGED BASE, T-HANDLE |
| GH-12075 | FIXED SPINDLE, STRAIGHT BASE, T-HANDLE |
| GH-12080 | SOLID BAR, FLANGED BASE, T-HANDLE |
| GH-12085 | SOLID BAR, STRAIGHT BASE, T-HANDLE |
| GH-12050-U | U-BAR, FLANGED BASE, STRAIGHT HANDLE |
| GH-12055-U | U-BAR, STRAIGHT BASE, STRAIGHT HANDLE |
| GH-12050-SS | STAINLESS STEEL |
| GH-12050-USS | STAINLESS STEEL |

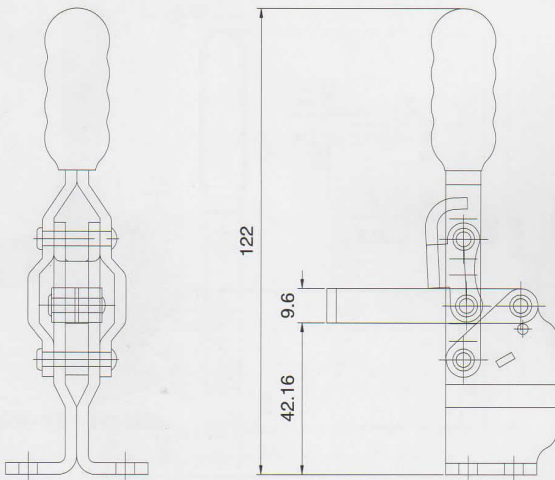
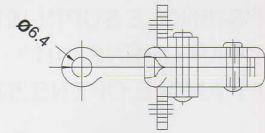
GH-12050-HB GH-12050-SM



GH-12050-HB

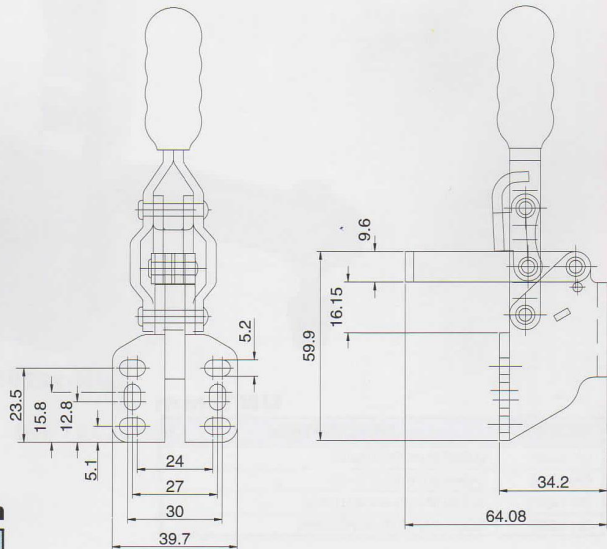


GH-12050-SM



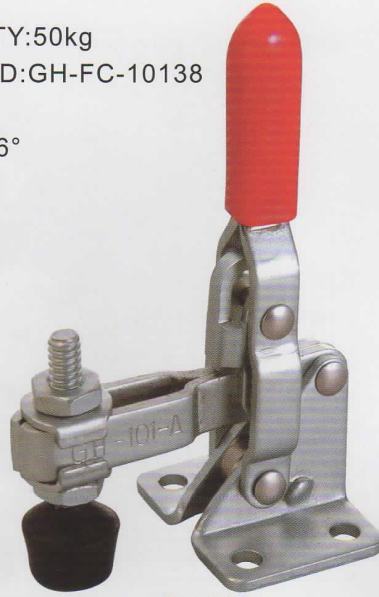
UNT:mm

| MODEL | WEIGHT(g) | HOLDING CAPACITY(kg) | SPINDLE SUPPLIED | BAR OPENS | HANDLE OPENS |
|-------------|-----------|----------------------|------------------|-----------|--------------|
| GH-12050-HB | 186 | 91 | GH-FC-14134 | 100° | 60° |
| GH-12050-SM | | | | | |

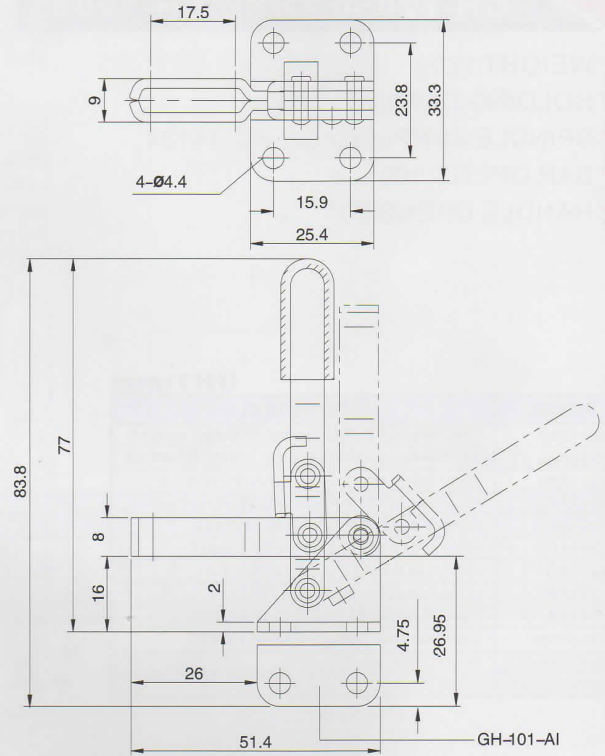


GH-101-A THRU GH-101-AT

- ▶ WEIGHT: 60g
- ▶ HOLDING CAPACITY: 50kg
- ▶ SPINDLE SUPPLIED: GH-FC-10138
- ▶ BAR OPENS: 100°
- ▶ HANDLE OPENS: 56°



GH-101-A



UNT:mm

| MODEL | DESCRIPTION |
|------------|---------------------------------------|
| GH-101-A | U-BAR, FLANGED BASE, STRAIGHT HANDLE |
| GH-101-AI | U-BAR, STRAIGHT BASE, STRAIGHT HANDLE |
| GH-101-AIT | U-BAR, STRAIGHT BASE, T-HANDLE |
| GH-101-AT | U-BAR, FLANGED BASE, T-HANDLE |
| GH-101-ASS | STAINLESS STEEL |

GH-12205 THRU GH-12220

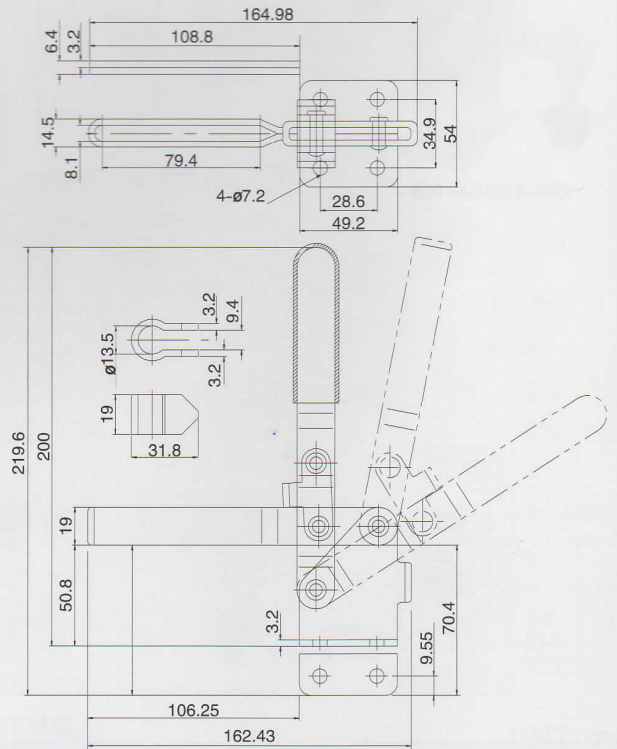
- ▶ WEIGHT: 620g
- ▶ HOLDING CAPACITY: 182kg
- ▶ SPINDLE SUPPLIED: GH-FC-56212
- ▶ BAR OPENS: 101°
- ▶ HANDLE OPENS: 57°



GH-12205

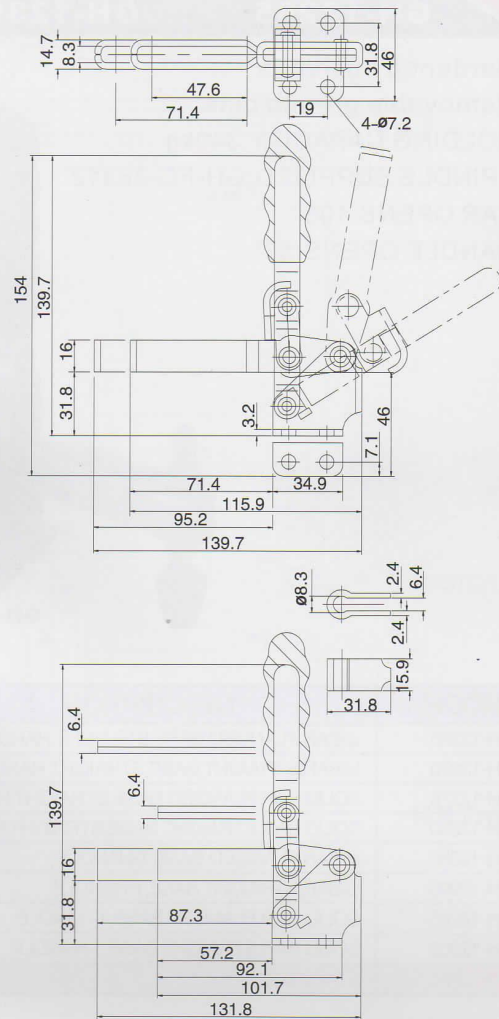
UNT:mm

| MODEL | DESCRIPTION |
|----------|--------------------------|
| GH-12205 | U-BAR, FLANGED BASE |
| GH-12210 | U-BAR, STRAIGHT BASE |
| GH-12215 | SOLID BAR, FLANGED BASE |
| GH-12220 | SOLID BAR, STRAIGHT BASE |



GH-12130 THRU GH-12148

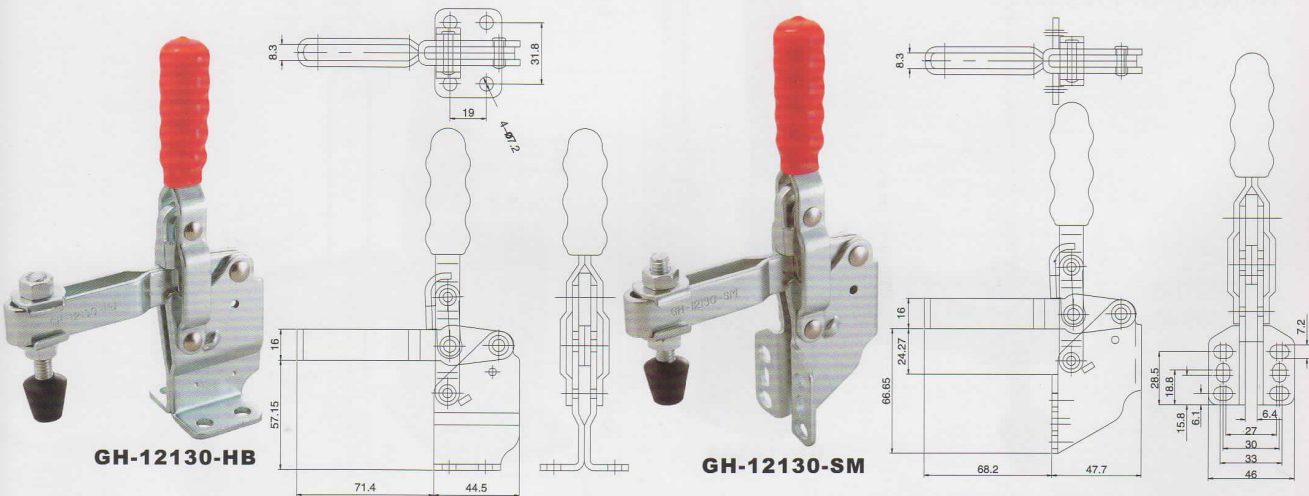
- ▶ HOLDING CAPACITY: 227kg
- ▶ SPINDLE SUPPLIED: GH-FC-56212
- ▶ BAR OPENS: 100°
- ▶ HANDLE OPENS: 60°



UNT:mm

| MODEL | DESCRIPTION | WEIGHT(g) |
|-------------|---|-----------|
| GH-12130 | SHORT U-BAR, FLANGED BASE, STRAIGHT HANDLE | 355 |
| GH-12131 | SHORT U-BAR, FLANGED BASE, T-HANDLE | 370 |
| GH-12132 | LONG U-BAR, FLANGED BASE, STRAIGHT HANDLE | 370 |
| GH-12133 | LONG U-BAR, FLANGED BASE, T-HANDLE | 400 |
| GH-12135 | SHORT U-BAR, STRAIGHT BASE, STRAIGHT HANDLE | 355 |
| GH-12136 | SHORT U-BAR, STRAIGHT BASE, T-HANDLE | 370 |
| GH-12137 | LONG U-BAR, STRAIGHT BASE, STRAIGHT HANDLE | 370 |
| GH-12138 | LONG U-BAR, STRAIGHT BASE, T-HANDLE | 400 |
| GH-12140 | SHORT SOLID BAR, FLANGED BASE, STRAIGHT HANDLE | 340 |
| GH-12141 | SHORT SOLID BAR, FLANGED BASE, T-HANDLE | 355 |
| GH-12142 | LONG SOLID BAR, FLANGED BASE, STRAIGHT HANDLE | 355 |
| GH-12143 | LONG SOLID BAR, FLANGED BASE, T-HANDLE | 375 |
| GH-12145 | SHORT SOLID BAR, STRAIGHT BASE, STRAIGHT HANDLE | 340 |
| GH-12146 | SHORT SOLID BAR, STRAIGHT BASE, T-HANDLE | 355 |
| GH-12147 | LONG SOLID BAR, STRAIGHT BASE, STRAIGHT HANDLE | 355 |
| GH-12148 | LONG SOLID BAR, STRAIGHT BASE, T-HANDLE | 375 |
| GH-12130-SS | STAINLESS STEEL | |

GH-12130-HB GH-12130-SM



UNT:mm

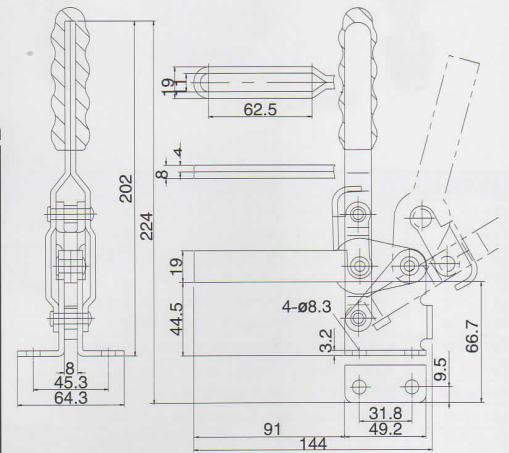
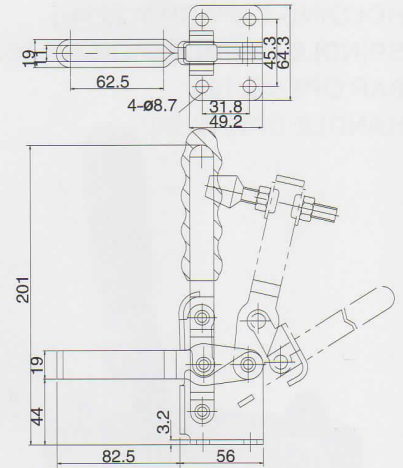
| MODEL | WEIGHT(g) | HOLDING CAPACITY(kg) | SPINDLE SUPPLIED | BAR OPENS | HANDLE OPENS |
|-------------|-----------|----------------------|------------------|-----------|--------------|
| GH-12130-HB | 401 | 227 | GH-FC-56212 | 100° | 60° |
| GH-12130-SM | 395 | | | | |

GH-12265 THROUGH-12300

- ▶ Hardened bushings
- ▶ Removable ground pins
- ▶ HOLDING CAPACITY: 340kg
- ▶ SPINDLE SUPPLIED: GH-FC-38312
- ▶ BAR OPENS: 105°
- ▶ HANDLE OPENS: 58°



GH-12265



UNT:mm

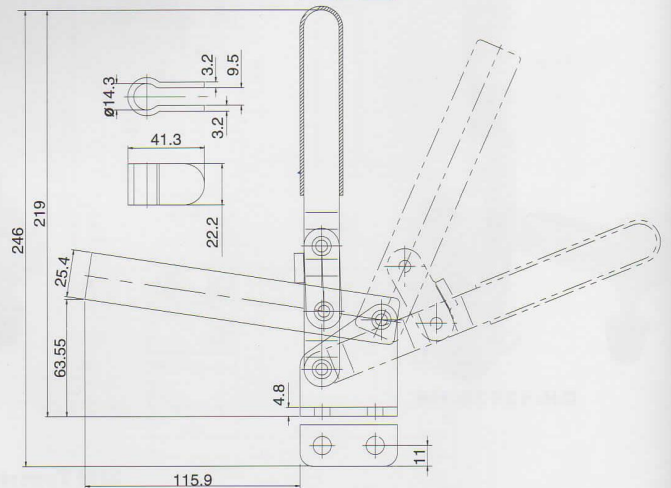
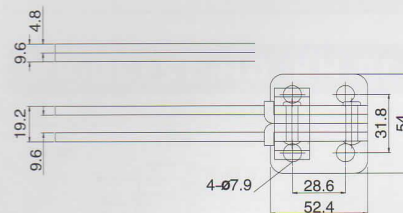
| MODEL | DESCRIPTION | WEIGHT(g) |
|-------------|---|-----------|
| GH-12265 | U-BAR, FLANGED BASE, STRAIGHT HANDLE | 635 |
| GH-12270 | U-BAR, STRAIGHT BASE, STRAIGHT HANDLE | 635 |
| GH-12275 | SOLID BAR, FLANGED BASE, STRAIGHT HANDLE | 680 |
| GH-12280 | SOLID BAR, STRAIGHT BASE, STRAIGHT HANDLE | 680 |
| GH-12285 | U-BAR, FLANGED BASE, T-HANDLE | 710 |
| GH-12290 | U-BAR, STRAIGHT BASE, T-HANDLE | 710 |
| GH-12295 | SOLID BAR, FLANGED BASE, T-HANDLE | 735 |
| GH-12300 | SOLID BAR, STRAIGHT BASE, T-HANDLE | 735 |
| GH-12265-SS | STAINLESS STEEL | |

GH-12305 THRU GH-12320

- ▶ WEIGHT: 990g
- ▶ HOLDING CAPACITY: 364kg
- ▶ SPINDLE SUPPLIED: GH-FC-38312
- ▶ BAR OPENS: 100°
- ▶ HANDLE OPENS: 65°



GH-12305

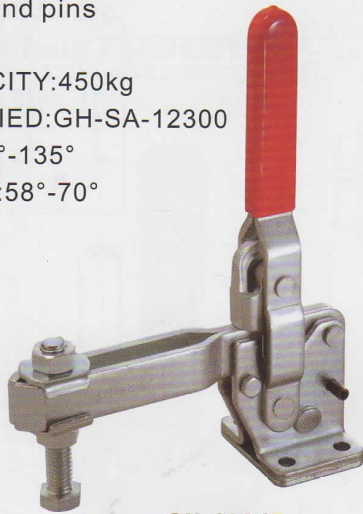


UNT:mm

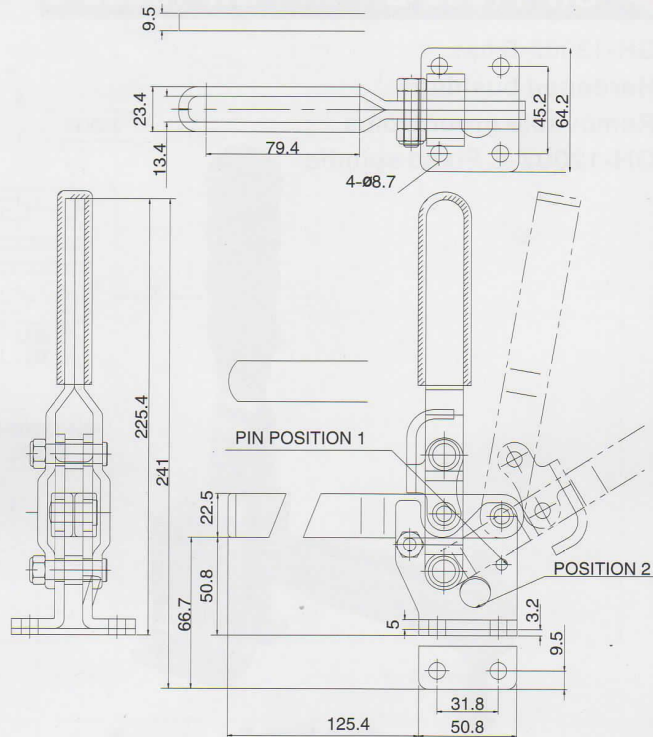
| MODEL | DESCRIPTION |
|----------|--------------------------|
| GH-12305 | OPEN BAR, FLANGED BASE |
| GH-12310 | OPEN BAR, STRAIGHT BASE |
| GH-12315 | SOLID BAR, FLANGED BASE |
| GH-12320 | SOLID BAR, STRAIGHT BASE |

GH-10247 THRU GH-10250

- ▶ Hardened bushings
- ▶ Removable ground pins
- ▶ WEIGHT: 1250g
- ▶ HOLDING CAPACITY: 450kg
- ▶ SPINDLE SUPPLIED: GH-SA-12300
- ▶ BAR OPENS: 100°-135°
- ▶ HANDLE OPENS: 58°-70°



GH-10247

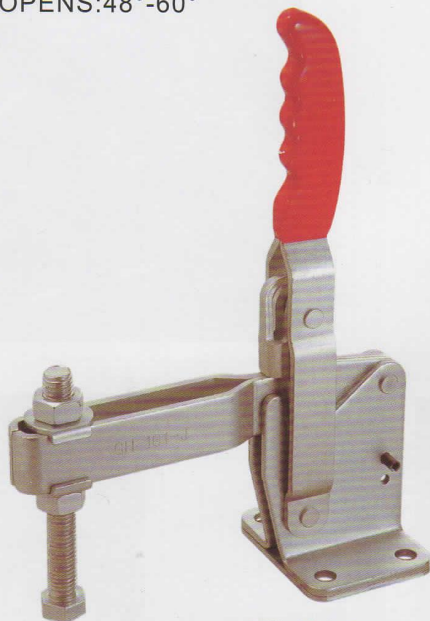


UNT:mm

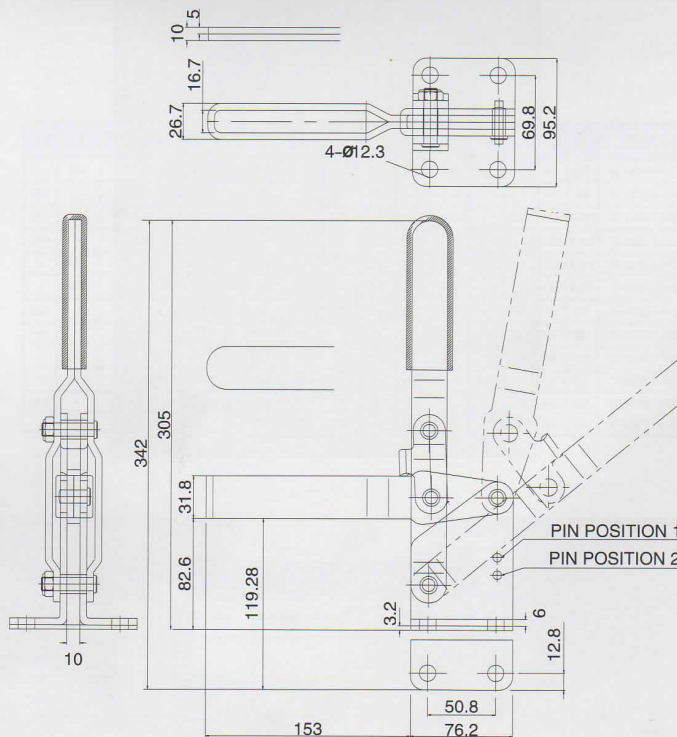
| MODEL | DESCRIPTION |
|----------|--------------------------|
| GH-10247 | U- BAR, FLANGED BASE |
| GH-10248 | U- BAR, STRAIGHT BASE |
| GH-10249 | SOLID BAR, FLANGED BASE |
| GH-10250 | SOLID BAR, STRAIGHT BASE |

GH-101-J THRU GH-101-JSI

- ▶ Hardened bushings
- ▶ Removable ground pins
- ▶ WEIGHT: 2540g
- ▶ HOLDING CAPACITY: 550kg
- ▶ SPINDLE SUPPLIED: GH-SA-58500
- ▶ BAR OPENS: 100°-140°
- ▶ HANDLE OPENS: 48°-60°



GH-101-J



UNT:mm

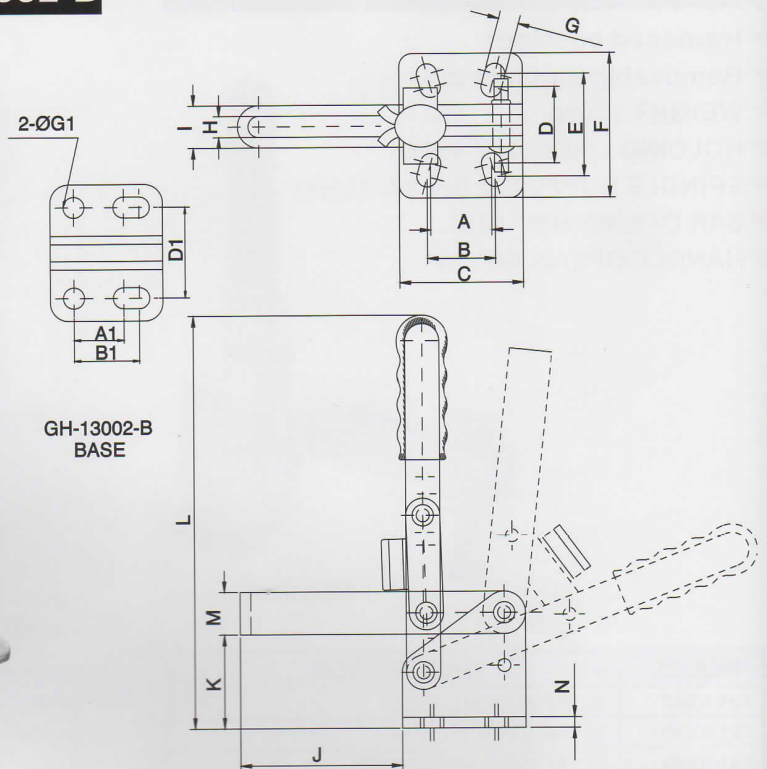
| MODEL | DESCRIPTION |
|------------|--------------------------|
| GH-101-J | U- BAR, FLANGED BASE |
| GH-101-JS | SOLID BAR, FLANGED BASE |
| GH-101-JSB | U- BAR, STRAIGHT BASE |
| GH-101-JSI | SOLID BAR, STRAIGHT BASE |

GH-11002-B THRU GH-13002-B

- ▶ GH-13002-B has
- ▶ Hardened bushings
- ▶ Removable ground pins
- ▶ GH-12002-C Fixed spindle



GH-13002-B

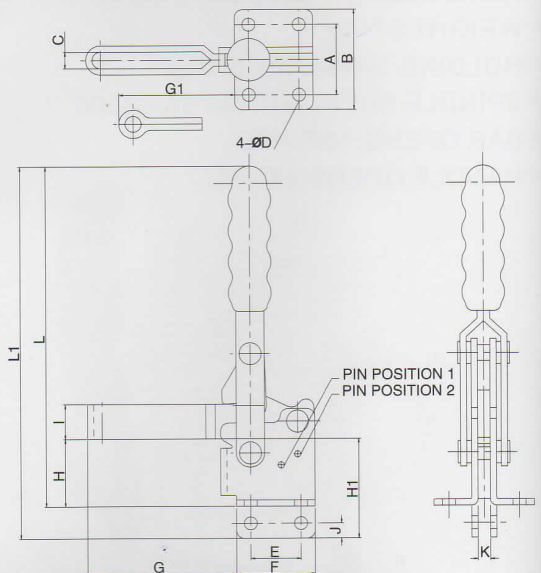


UNT:mm

| MODEL | WEIGHT(g) | HOLDING CAPACITY(kg) | SPINDLE SUPPLIED | BAR OPENS | HANDLE OPENS | A | A1 | B | B1 | C | D | D1 | E | F | ØG1 | H | I | J | K | L | M | N | |
|------------|-----------|----------------------|------------------|-----------|--------------|------|----|----|----|----|------|----|------|----|------|-----|-----|----|-----|-----|-----|-----|-----|
| GH-11002-B | 128 | 75 | GH-SA-054008 | 96° | 69° | 14.0 | - | 16 | - | 29 | 17.5 | - | 24.2 | 34 | - | 5 | 10 | 38 | 22 | 97 | 10 | 2.5 | |
| GH-12002-B | 170 | 150 | GH-SA-065010 | 108° | 70° | 12.7 | - | 19 | - | 35 | 25 | - | 27 | 42 | - | 6.4 | 11 | 44 | 29 | 143 | 13 | 3.2 | |
| GH-13002-C | 170 | 150 | GH-SA-065010 | 108° | 70° | 12.7 | - | 19 | - | 35 | 25 | - | 27 | 42 | - | 6.4 | 11 | 44 | 29 | 143 | 13 | 3.2 | |
| GH-13002-B | 380 | 250 | GH-SA-086512 | 106° | 67° | - | - | 19 | - | 25 | 43 | - | 33.5 | - | 51.1 | 8 | 8.8 | 12 | 100 | 35 | 196 | 19 | 3.2 |

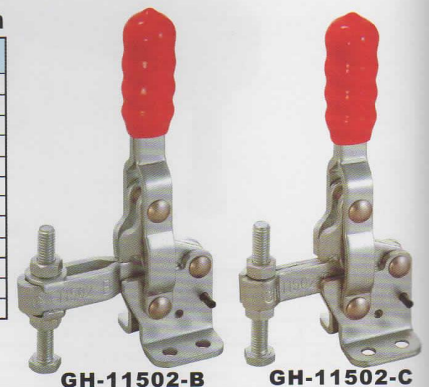
GH-10751-B THRU GH-13502-B

| MODEL | A | B | C | C1 | ØD | E | F | G | G1 | H | H1 | I | J | K | L | L1 |
|------------|------|------|------|-----|-----|------|----|----|----|----|------|------|-----|-----|-----|-----|
| GH-10751-B | 24 | 34 | 5.5 | - | 4.4 | 16 | 26 | 31 | - | 27 | 27.6 | 9 | - | - | 98 | - |
| GH-10752-B | 24 | 34 | 5.5 | - | 4.4 | 16 | 26 | 31 | - | 16 | - | 9 | 5 | 4 | - | 106 |
| GH-11501-B | 26.8 | 37.8 | 6.2 | - | 5.1 | 12.7 | 27 | 43 | - | - | 33.4 | 11 | 5.4 | 5.8 | - | 135 |
| GH-11501-C | 26.8 | 37.8 | - | 6.2 | 5.1 | 12.7 | 27 | - | 33 | - | 33.4 | 11 | 5.4 | 5.8 | - | 135 |
| GH-11502-B | 26.8 | 37.8 | 6.2 | - | 5.1 | 12.7 | 27 | 43 | - | 23 | - | 11 | 5.4 | 5.8 | 123 | - |
| GH-11502-C | 26.8 | 37.8 | - | 6.2 | 5.1 | 12.7 | 27 | - | 33 | 23 | - | 11 | 5.4 | 5.8 | 123 | - |
| GH-12501-B | 32 | 47 | 8.9 | - | 7.1 | 19 | 35 | 75 | - | - | 46 | 17.5 | 7 | 6 | - | 190 |
| GH-12501-C | 32 | 47 | - | 8.4 | 7.1 | 19 | 35 | - | 53 | - | 46 | 17.5 | 7 | 6 | - | 190 |
| GH-12502-B | 32 | 47 | 8.9 | - | 7.1 | 19 | 35 | 75 | - | 32 | - | 17.5 | 7 | 6 | 175 | - |
| GH-12502-C | 32 | 47 | - | 8.4 | 7.1 | 19 | 35 | - | 53 | 32 | - | 17.5 | 7 | 6 | 175 | - |
| GH-13501-B | 45 | 64 | 10.6 | - | 8.3 | 32 | 50 | 95 | - | - | 63.6 | 22 | 9.6 | 8 | - | 240 |
| GH-13502-B | 45 | 64 | 10.6 | - | 8.3 | 32 | 50 | 95 | - | 43 | - | 22 | 9.6 | 8 | 220 | - |



UNT:mm

| MODEL | WEIGHT (g) | HOLDING CAPACITY (kg) | SPINDLE SUPPLIED | BAR OPENS | HANDLE OPENS | DESCRIPTION |
|------------|------------|-----------------------|------------------|-----------|--------------|------------------------------|
| GH-10751-B | 50 | 75 | GH-SA-055008 | 130°-195° | 90°-125° | U-BAR, STRAIGHT BASE |
| GH-10752-B | | | | | | U-BAR, FLANGED BASE |
| GH-11501-B | 150 | 150 | GH-SA-065010 | 95°-185° | 75°-110° | U-BAR, STRAIGHT BASE |
| GH-11501-C | | | | | | FIXED SPINDLE, STRAIGHT BASE |
| GH-11502-B | | | | | | U-BAR, FLANGED BASE |
| GH-11502-C | 380 | 250 | GH-SA-085012 | 90°-150° | 70°-100° | FIXED SPINDLE, FLANGED BASE |
| GH-12501-B | | | | | | U-BAR, STRAIGHT BASE |
| GH-12501-C | | | | | | FIXED SPINDLE, STRAIGHT BASE |
| GH-12502-B | | | | | | U-BAR, FLANGED BASE |
| GH-12502-C | 800 | 350 | GH-SA-108015 | 90°-180° | 70°-100° | FIXED SPINDLE, FLANGED BASE |
| GH-13501-B | | | | | | U-BAR, STRAIGHT BASE |
| GH-13502-B | | | | | | U-BAR, FLANGED BASE |

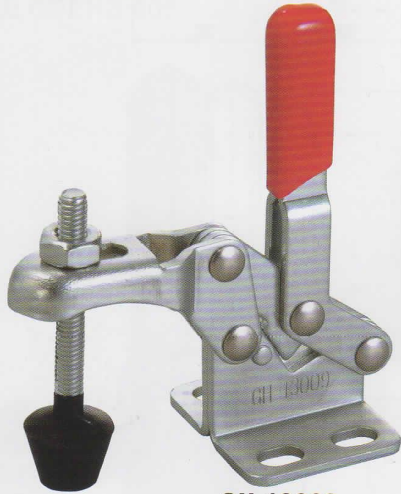


GH-11502-B

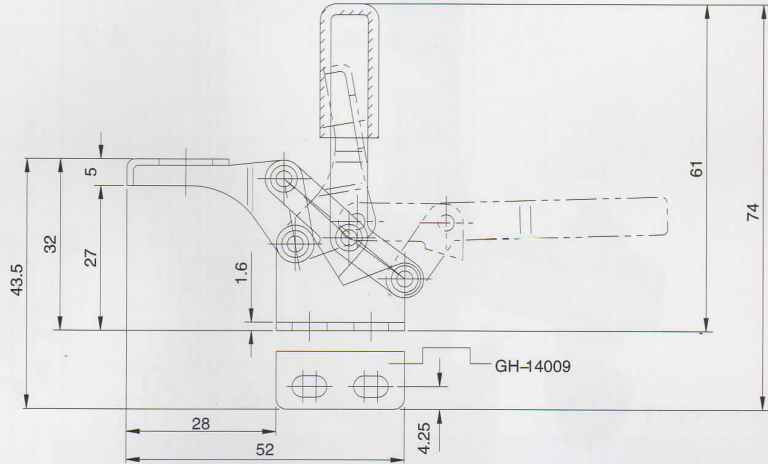
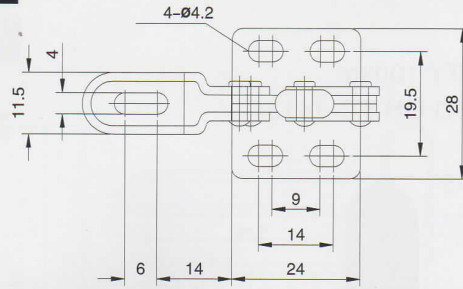
GH-11502-C

GH-13009 AND GH-14009

- ▶ WEIGHT: 40g
- ▶ HOLDING CAPACITY: 30kg
- ▶ SPINDLE SUPPLIED: GH-FC-044207
- ▶ BAR OPENS: 80°
- ▶ HANDLE OPENS: 88°

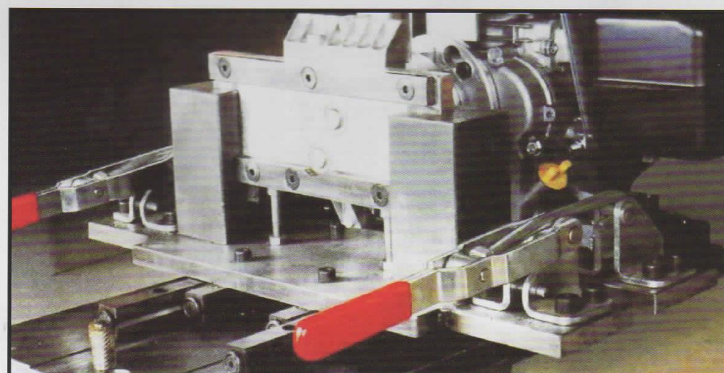
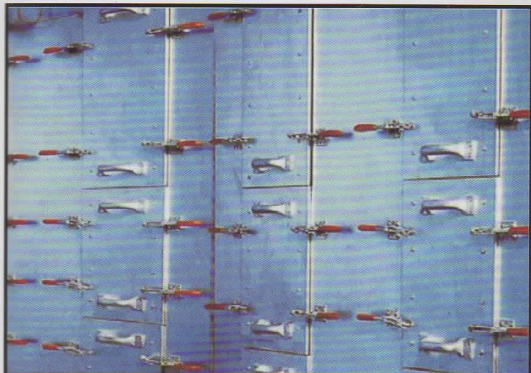
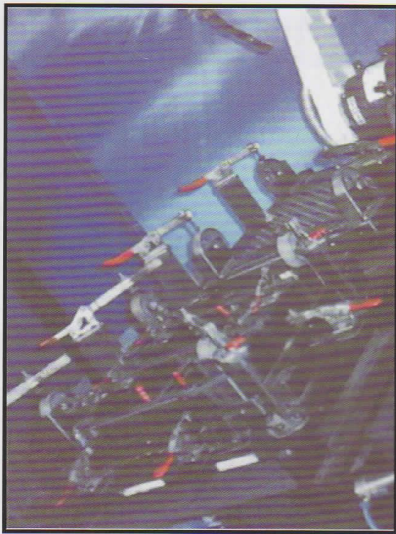


GH-13009



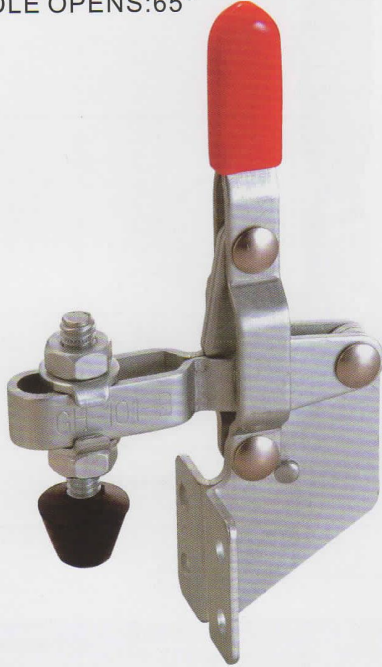
| MODEL | DESCRIPTION |
|----------|---------------|
| GH-13009 | FLANGED BASE |
| GH-14009 | STRAIGHT BASE |

UNT:mm

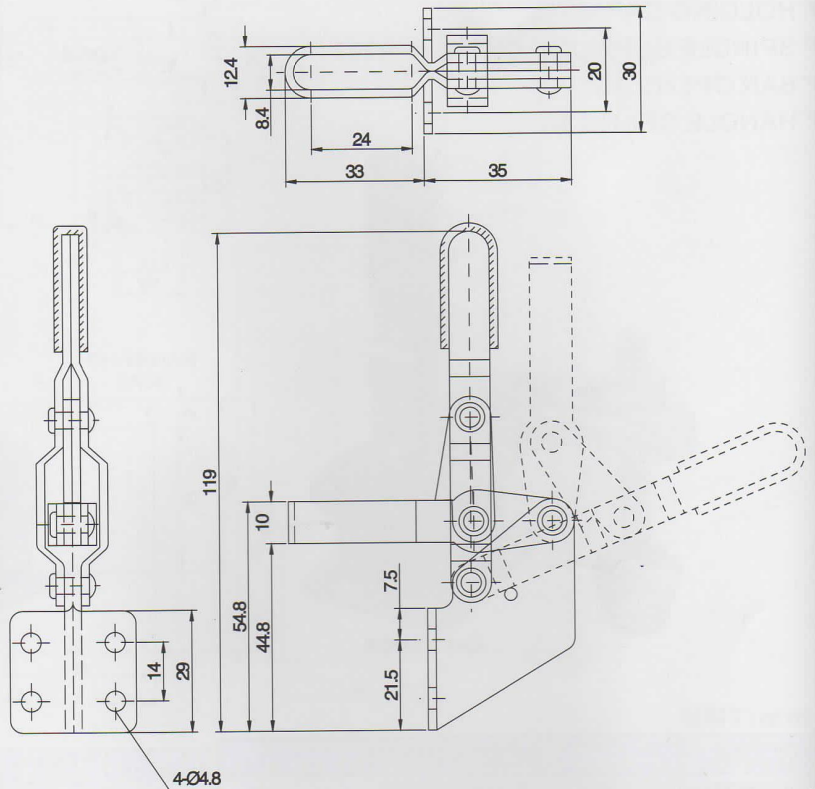


GH-101-B

- ▶ WEIGHT: 135g
- ▶ HOLDING CAPACITY: 100kg
- ▶ SPINDLE SUPPLIED: GH-FC-14134
- ▶ BAR OPENS: 90°
- ▶ HANDLE OPENS: 65°



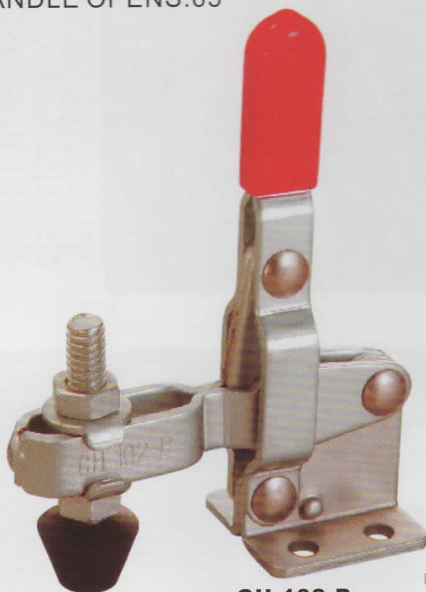
GH-101-B



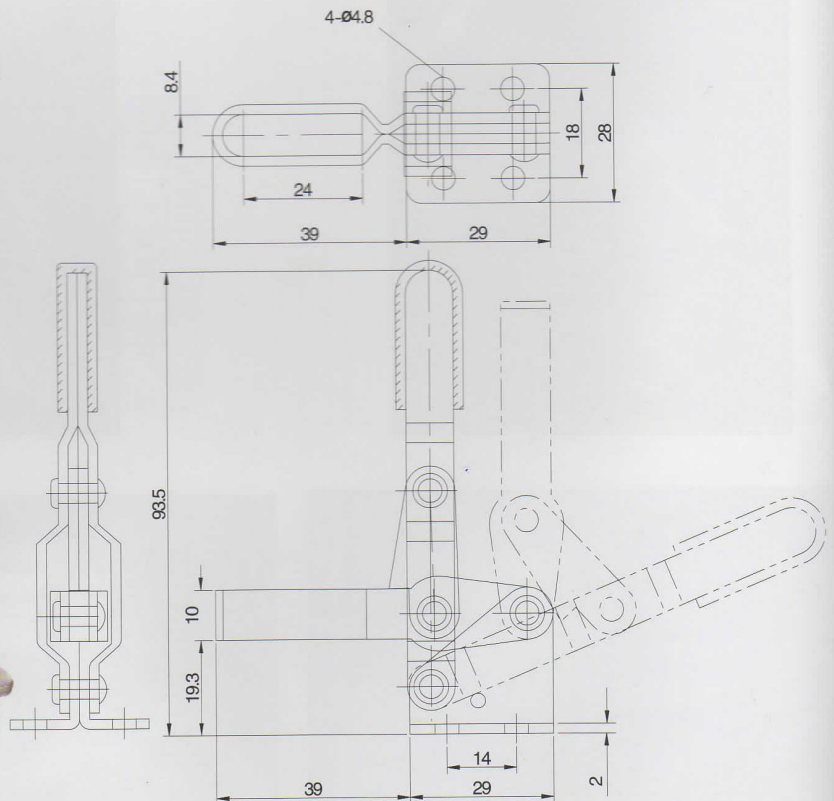
UNT:mm

GH-102-B

- ▶ WEIGHT: 115g
- ▶ HOLDING CAPACITY: 100kg
- ▶ SPINDLE SUPPLIED: GH-FC-14134
- ▶ BAR OPENS: 90°
- ▶ HANDLE OPENS: 65°



GH-102-B

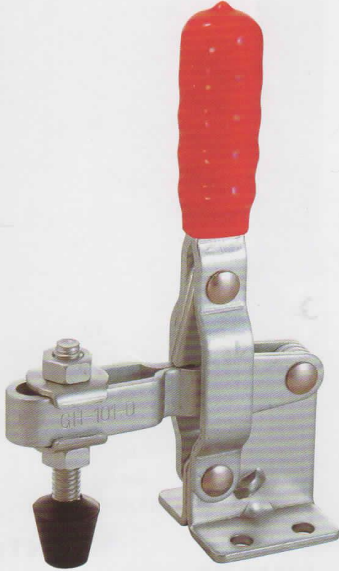


UNT:mm

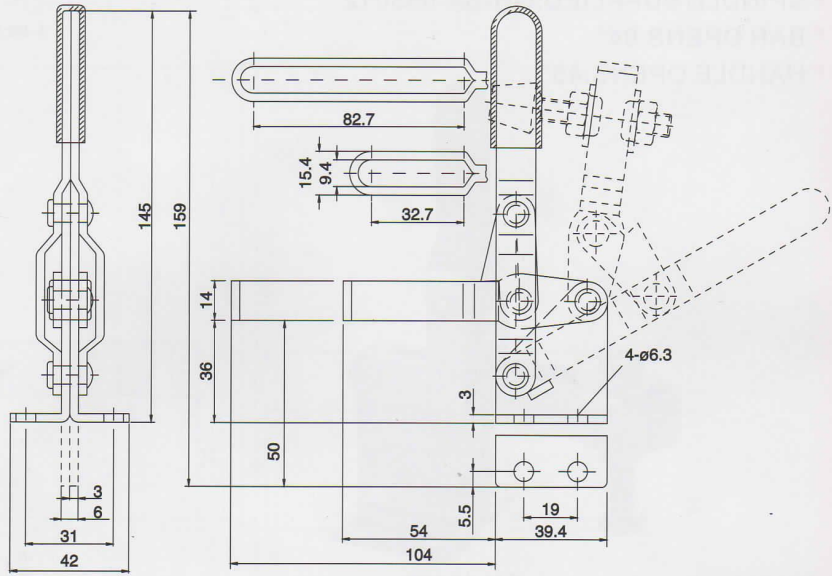
GH-101-D AND GH-101-E

GH-101-DI AND GH-101-EI

- ▶ HOLDING CAPACITY: 180kg
- ▶ SPINDLE SUPPLIED: GH-FC-56212
- ▶ BAR OPENS: 100°
- ▶ HANDLE OPENS: 60°



GH-101-D

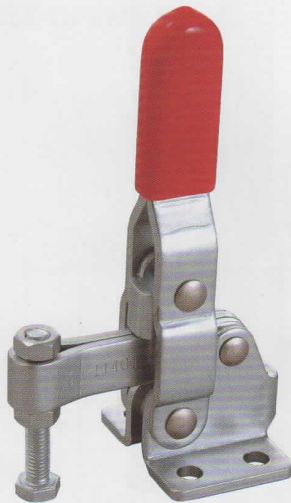


UNT:mm

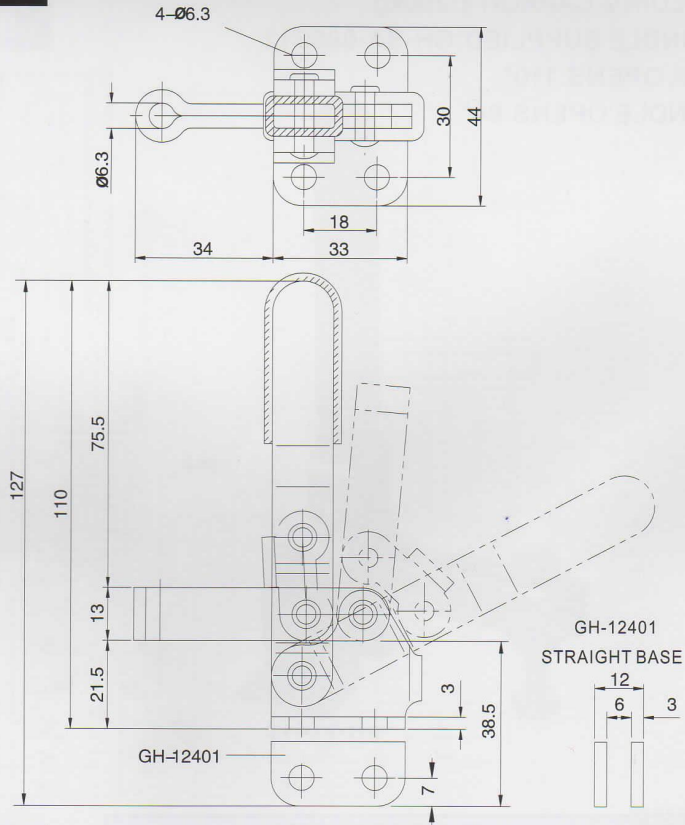
| MODEL | DESCRIPTION | WEIGHT(g) |
|-----------|--|-----------|
| GH-101-D | U-BAR, FLANGED BASE, STRAIGHT HANDLE | 330g |
| GH-101-DI | U-BAR, STRAIGHT BASE, STRAIGHT HANDLE | |
| GH-101-E | LONG U-BAR, FLANGED BASE, STRAIGHT HANDLE | 360g |
| GH-101-EI | LONG U-BAR, STRAIGHT BASE, STRAIGHT HANDLE | |
| GH-101-DL | U-BAR, FLANGED BASE, LONG HANDLE | |

GH-11401 AND GH-12401

- ▶ WEIGHT: 200g
- ▶ HOLDING CAPACITY: 100kg
- ▶ SPINDLE SUPPLIED: GH-SA-064010
- ▶ BAR OPENS: 95°
- ▶ HANDLE OPENS: 65°



GH-11401



UNT:mm

| MODEL | DESCRIPTION |
|----------|---------------|
| GH-11401 | FLANGED BASE |
| GH-12401 | STRAIGHT BASE |

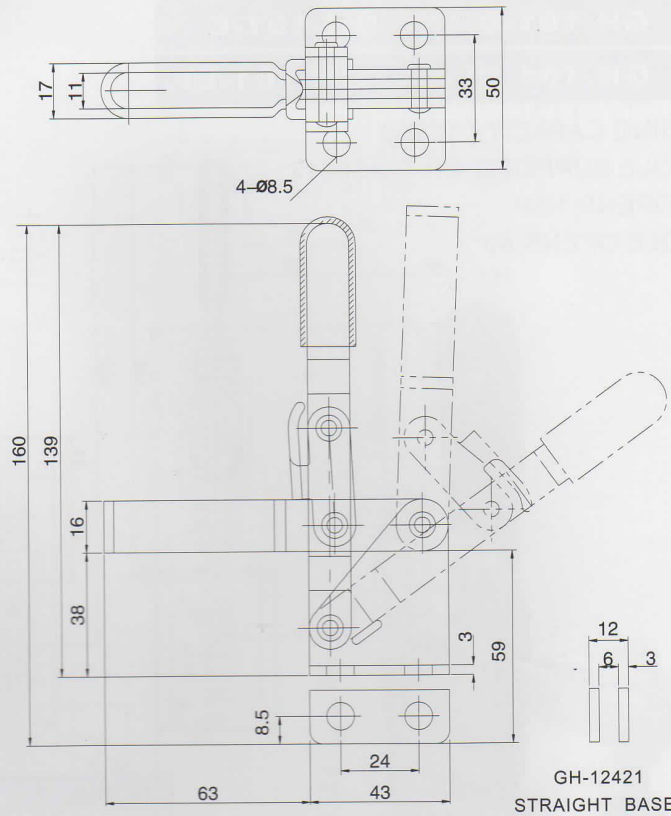
GH-11421 AND GH-12421

- ▶ WEIGHT:370g
- ▶ HOLDING CAPACITY:200kg
- ▶ SPINDLE SUPPLIED:GH-SA-085012
- ▶ BAR OPENS:94°
- ▶ HANDLE OPENS:45°



GH-11421

| MODEL | DESCRIPTION |
|-------------|-----------------|
| GH-11421 | FLANGED BASE |
| GH-12421 | STRAIGHT BASE |
| GH-11421-SS | STAINLESS STEEL |

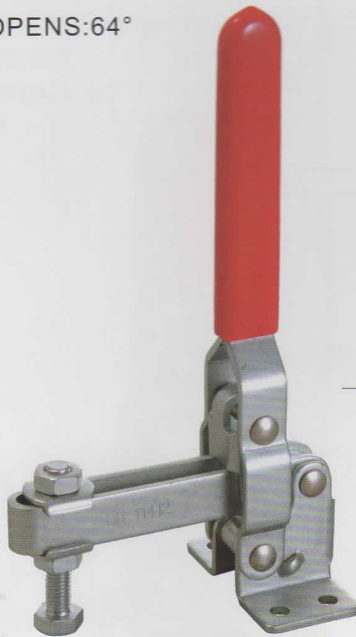


GH-12421
STRAIGHT BASE

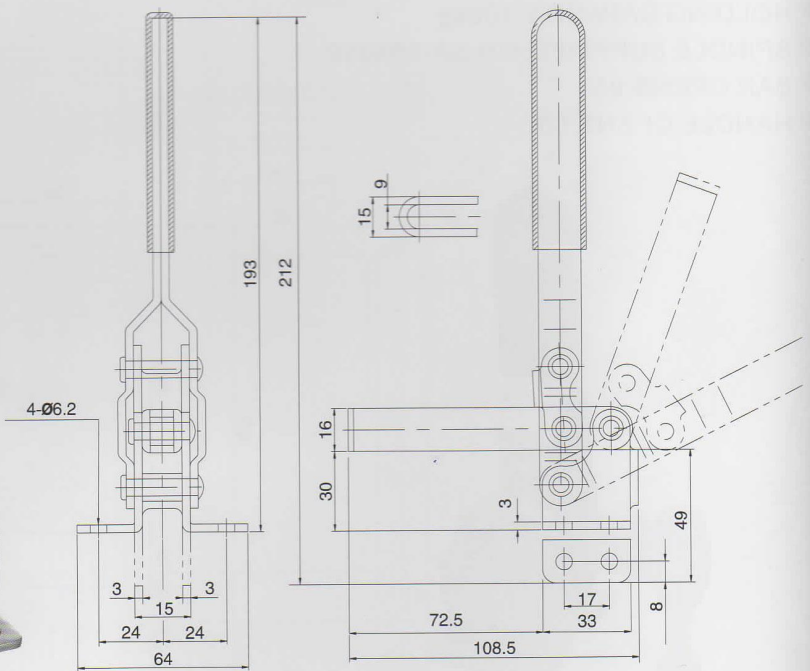
UNT:mm

GH-11412 AND GH-12412

- ▶ WEIGHT:370g
- ▶ HOLDING CAPACITY:200kg
- ▶ SPINDLE SUPPLIED:GH-SA-085012
- ▶ BAR OPENS:110°
- ▶ HANDLE OPENS:64°



GH-11412



UNT:mm

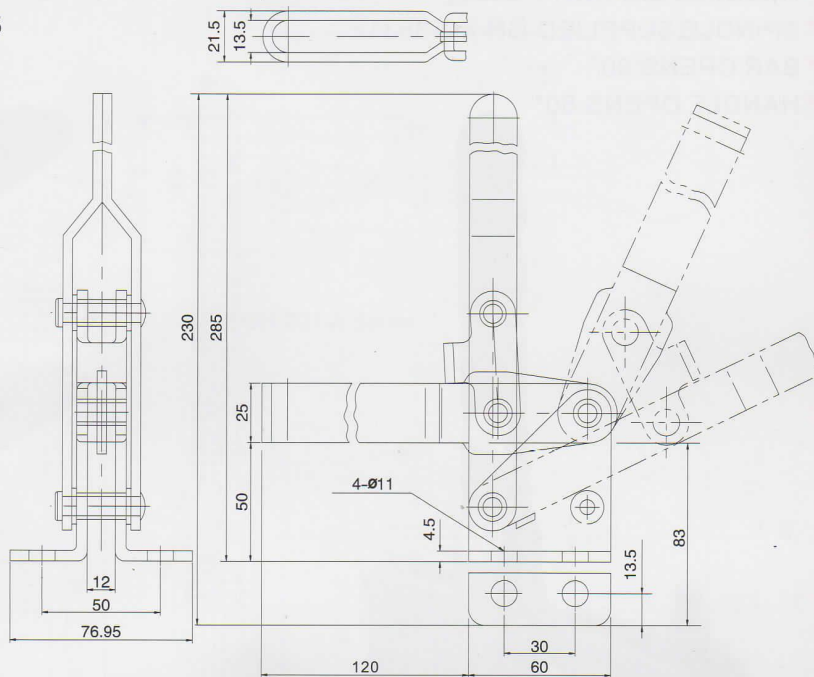
| MODEL | DESCRIPTION |
|----------|---------------|
| GH-11412 | FLANGED BASE |
| GH-12412 | STRAIGHT BASE |

GH-14412 AND GH-13412

- ▶ WEIGHT: 1140g
- ▶ HOLDING CAPACITY: 300kg
- ▶ SPINDLE SUPPLIED: GH-SA-109015
- ▶ BAR OPENS: 140°
- ▶ HANDLE OPENS: 67°



GH-14412



UNT:mm

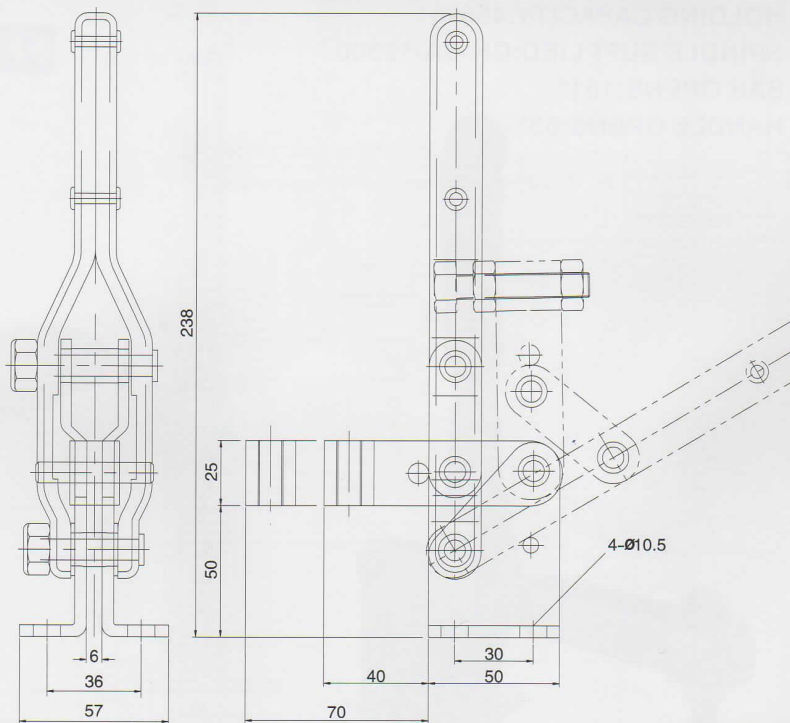
| MODEL | DESCRIPTION |
|----------|---------------|
| GH-14412 | FLANGED BASE |
| GH-13412 | STRAIGHT BASE |

GH-10444 AND GH-10448

- ▶ Hardened bushings
- ▶ Removable ground pins
- ▶ HOLDING CAPACITY: 400kg
- ▶ SPINDLE SUPPLIED: GH-SA-38200
- ▶ BAR OPENS: 85°
- ▶ HANDLE OPENS: 58°



GH-10448

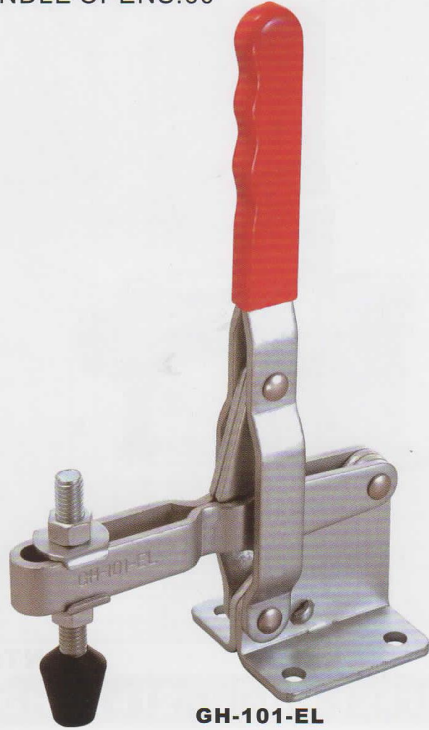


UNT:mm

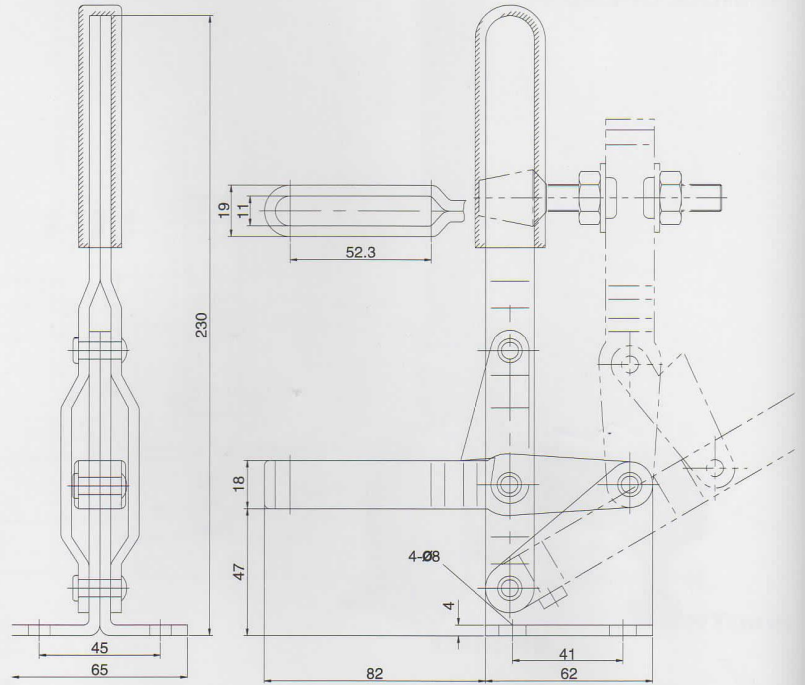
| MODEL | DESCRIPTION | WEIGHT(g) |
|----------|-------------|-----------|
| GH-10444 | LONG BAR | 870g |
| GH-10448 | SHORT BAR | 840g |

GH-101-EL

- ▶ WEIGHT: 838g
- ▶ HOLDING CAPACITY: 360kg
- ▶ SPINDLE SUPPLIED: GH-FC-38312
- ▶ BAR OPENS: 90°
- ▶ HANDLE OPENS: 60°



GH-101-EL



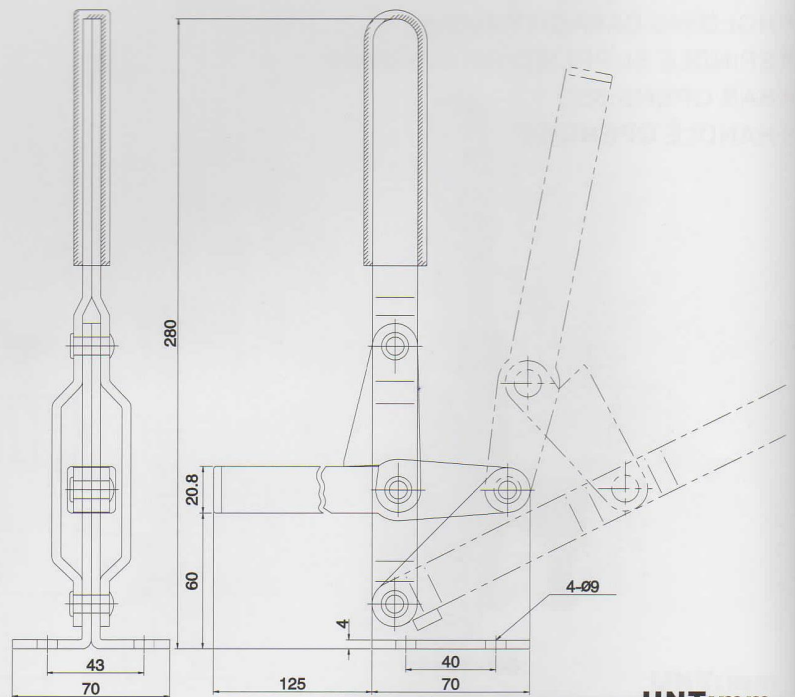
UNT:mm

GH-101-H

- ▶ WEIGHT: 1220g
- ▶ HOLDING CAPACITY: 450kg
- ▶ SPINDLE SUPPLIED: GH-SA-12300
- ▶ BAR OPENS: 101°
- ▶ HANDLE OPENS: 63°



GH-101-H



UNT:mm